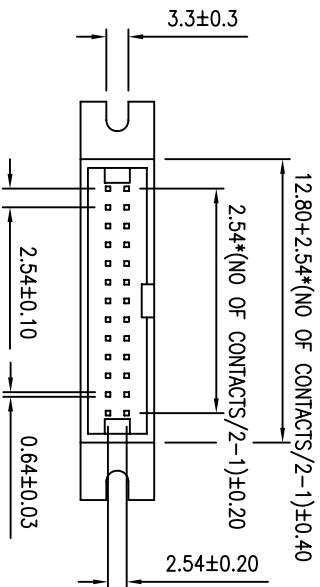
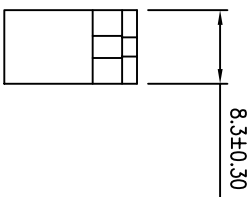
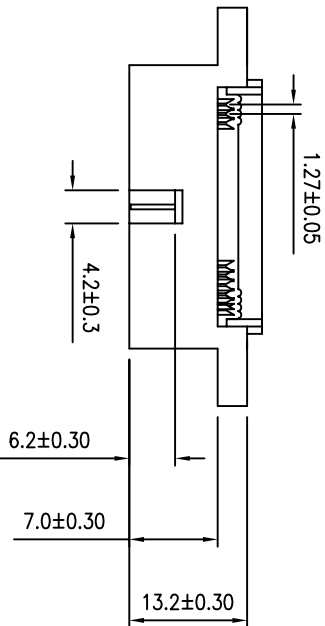
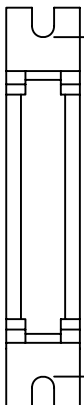


27.15+2.54\*(NO OF CONTACTS/2-1)±0.40  
 14.38+2.54\*(NO OF CONTACTS/2-1)±0.40

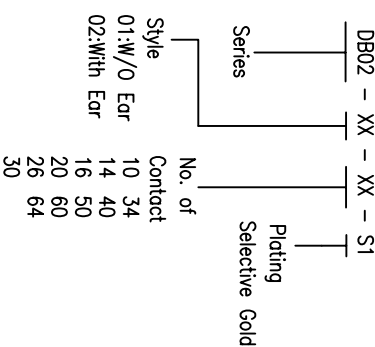


REV	ECN NO.	APP.	DATE
A	NEW DESIGN		

**SPECIFICATION**

- \* Current Rating: 3 A
- \* Withstanding Voltage: 500 VAC ( 1 min. )
- \* Insulation Resistance: 1000 Megohms min.
- \* Contact Resistance: 20 Milliohms max.
- \* Operating Temperature: -40°C to +85°C

**ORDER INFORMATION**



**MATERIAL**

- \* Contact: Brass
- \* Insulator: PBT & 30% G. F.
- \* Plated: Selective Gold

**SHINHWHA TECH CO.,LTD**

0.0±	SCALE:	TITLE: 2.54mm (.100") Center	PART NO:
0.00±	UNIT: MM	I.D.C BOX HEADER	APP BY:
0.000±		MATL: PBT + 30% GF	CHK BY:
		DWG. NO. DB02	DR BY: